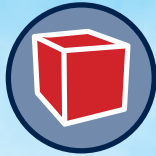


HOOD-IT

HEPA FILTER HOUSING



KEY POINTS



Lightweight, compact and resistant to torsion



Single closure system for both filter and diffuser



The absolute filter is separate from the unit and can be removed without the need for any special tools



Terminal Filtration Unit designed to be installed in the most common prefabricated false ceiling, ideal for the creation of small/medium controlled contamination areas.

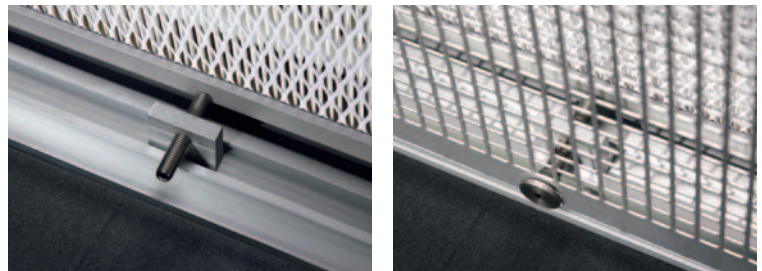
APPLIANCES

Cleanrooms for the Electronic, Optical, Mechanical, Aerospace, Pharmaceutical, Medical industries and Hospitals.



COMPONENTS' DESCRIPTION

- Anodised extruded aluminum **base framework** which holds the absolute filter. The shape of the sections guarantees excellent fixing for the filter and makes it very easy to install.
- **Pressurised hood** in galvanised sheet steel. Complete with circular side collar and socket for D.O.P. Test.
- **Fixing kit** for perfectly anchoring the filter and the bottom diffuser using the special pawls. Two different kits are available for 66 mm high filters and 90 mm high filters.
- **Bottom diffuser** to protect the filter, made from perforated anodised aluminium plate Ø 5 mm, pitch 8 mm.



OPTIONAL ACCESSORIES

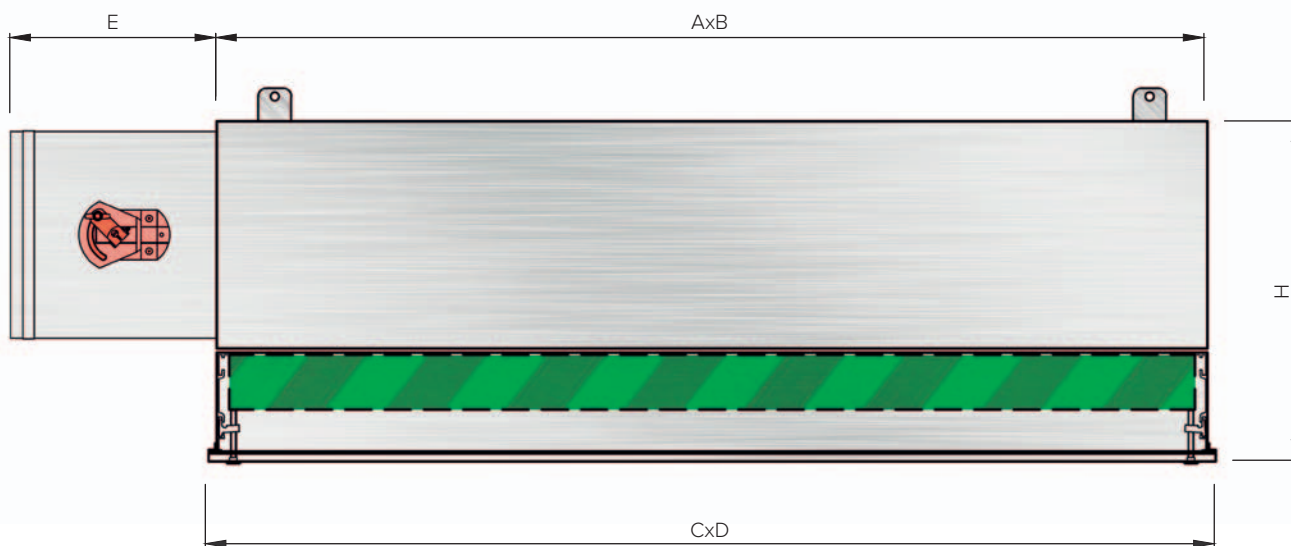
- **Pressurised hood** in stainless steel AISI 304.
- **Diffuser** in microperforated stainless steel plate.
- High-induction **Diffuser**.
- **Counter-frame** for installation on false ceiling.

COUPLED FILTERS

TYPE	TIGHTNESS		EFFICIENCY			HEIGHT MM		
	DRY	WET	H14	U15	U16	66	90	110
3P3	●	●	●	●	●	●	●	●
3P6	●	●	●	●	●	●	●	●
4P4	●	●	●	●	●	●	●	●
5P5	●	●	●	●	●	●	●	●
6P6	●	●	●	●	●	●	●	●
6P9	●	●	●	●	●	●	●	●
6P12	●	●	●	●	●	●	●	●

● Available

● Not available



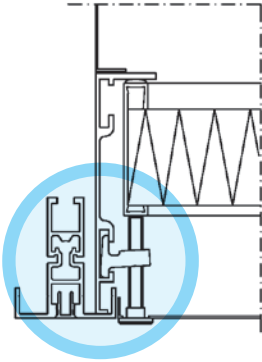
TECHNICAL DATA

TYPE	DIMENSIONS				
	ABSOLUTE FILTER mm	AxBxH mm	CxD mm	E	Ø Ring
3P3	305x305	330x330x400	350x350	185	200
3P6	305x610	330x635x400	350x350	185	200
4P4	457x457	482x482x400	520x520	185	200
5P5	547x547	572x572x400	595x595	185	200
6P6	610x610	635x635x400	655x655	185	200
6P9	610x915	635x940x400	655x960	285	250
6P12	610x1220	635x1244x400	655x1264	285	250

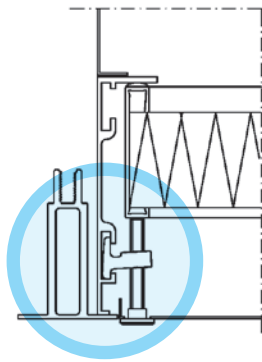
INSTALLATION TYPOLOGIES

INSTALLATION

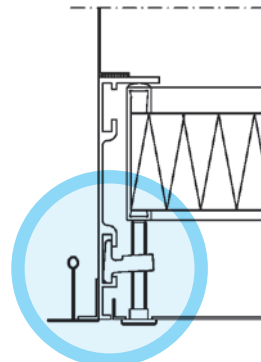
GRID-HT



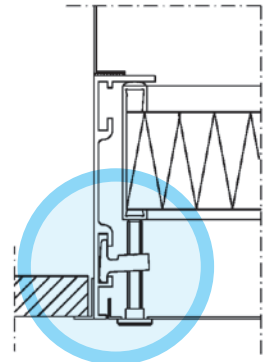
GRID-EL



COMMERCIAL FALSE CEILINGS

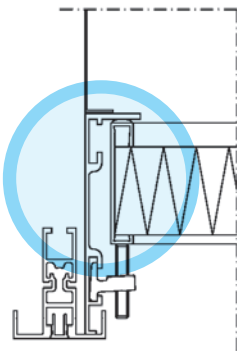


DRYWALL

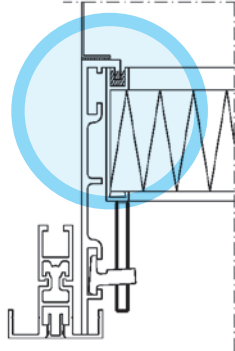


FILTRO

DRY TIGHTNESS

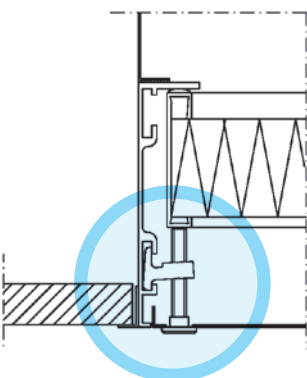


WET TIGHTNESS

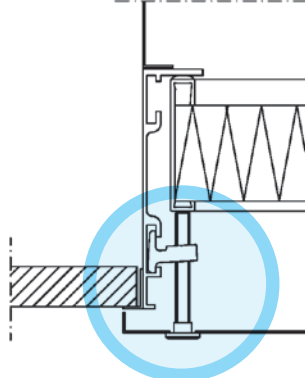


DIFFUSERS

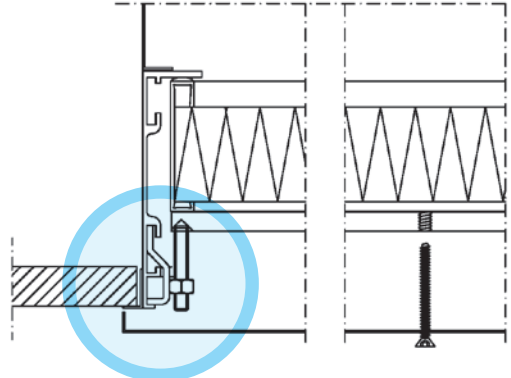
INTERNAL



EXTERNAL

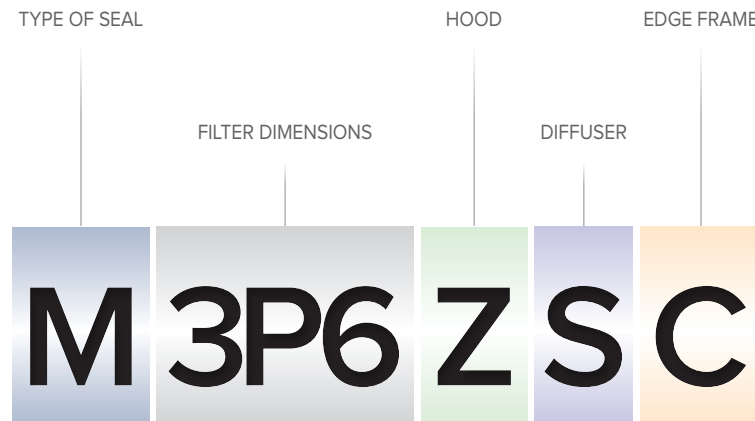


HIGH INDUCTION





EXAMPLE OF CODING



TYPE OF SEAL

- M** Mechanical seal
- L** Liquid seal

DIFFUSER

- S** microperforated in aluminium inside
- I** microperforated in stainless steel inside
- F** microperforated in stainless outside
- N** microperforated in stainless steel outside
- R** with high induction outside

FILTER DIMENSIONS



- 3P3** (305x305 mm)
- 3P6** (305x610 mm)
- 4P4** (457x457 mm)
- 5P5** (547x547 mm)
- 6P6** (610x610 mm)
- 6P9** (610x915 mm)
- 6P12** (610x1220 mm)

EDGE FRAME

- C** With Frame
- X** Without frame

HOOD

- Z** in galvanised steel
- N** in stainless steel

CLEAN ROOMS	DEDICATED SYSTEMS	CLEAN ROOM COMPONENTS	SPECIAL EQUIPMENT	PLANT
 MICROELECTRONICS	 PRINTED CIRCUITS	 FALSE CEILINGS	 AIR SHOWERS	 CONDITIONING
 ELECTRONICS	 BOTTLING	 MOTOISED FANS	 TRANSFER HATCHES	 SUCTION
 PHARMACEUTICAL	 HOSPITALS	 WALLS	 CLEAN CABINS	 AIR DUCTING
 HOSPITALS	 PHARMACEUTICAL	 FLOATING FLOORS	 DUST REMOVAL	
 BOTTLING	 FOOD	 CEILING FIXTURES	 CHANGING ROOM FITTINGS	